

TWIN TIER HEN HOUSE HOT FOOD MERCHANDISERS



Royston Twin Tier Hen House, shown with no doors (HI-MHH-2SS-ND)

A MERCHANDISING MARVEL

Our Twin Tier Hen House series is known for its successful merchandising of fresh-cooked chicken, but also demonstrates great strength in showcasing a broad menu of hot food options. These units are available with or without sliding doors, have easy access to product and great lighting. The deck surfaces have energy-efficient heating pads making these shop-around heated merchandisers a winner in any store.

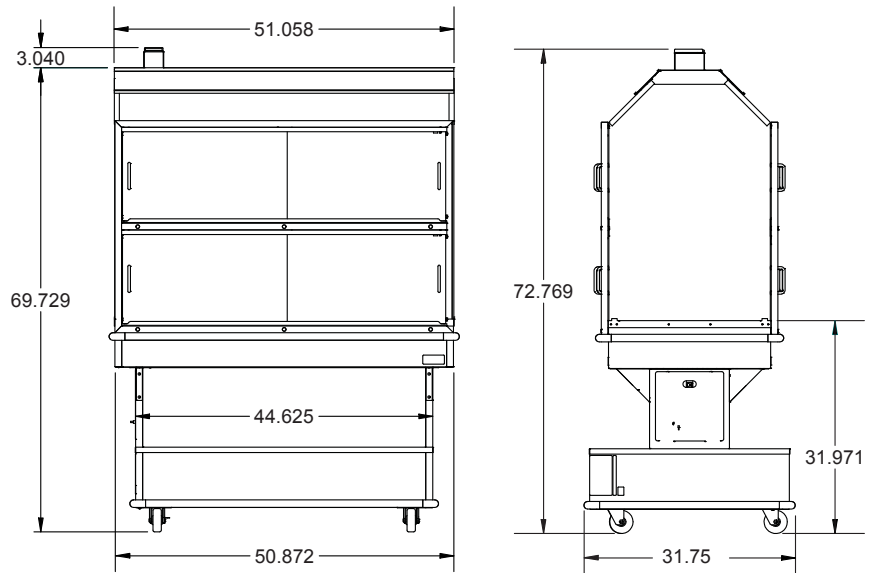
STANDARD FEATURES

- Stainless steel upper body
- Easy-to-clean, 16-gauge, stainless-steel deck construction
- Attractive, clean appearance with no exposed fasteners
- Deck surfaces heated with energy-efficient heater pads to provide even heating across entire deck
- Sliding door unit has Halogen heat lamps with a shatterproof coating
- Unit without doors has ceramic overhead heaters
- Digital temperature control for main heating surfaces
- Attractive, polycarbonate temperature guards on all sides
- Easy control access through cabinet base door
- 1" black round bumper

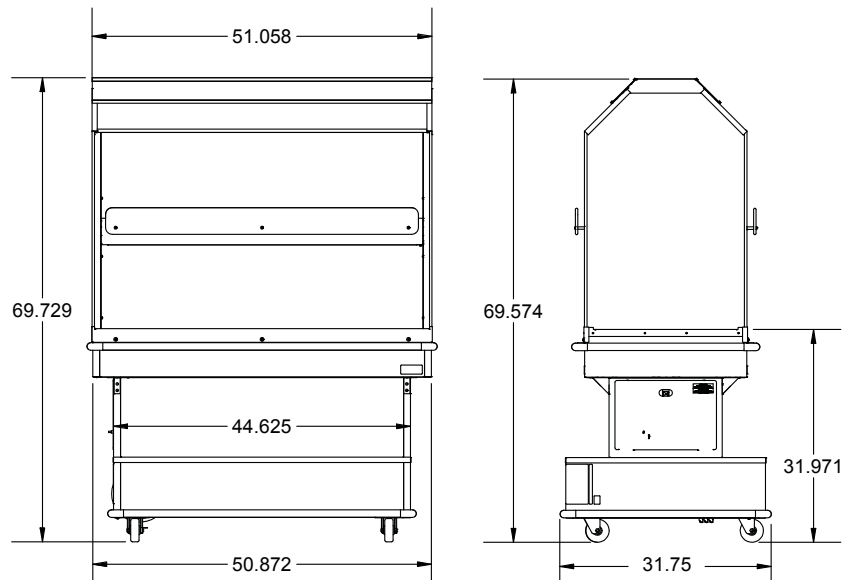


UPGRADES



- Stainless steel or custom powder coated lower body
- Hanging baguette baskets & hardware
- Merchandising sign package
- Prewired panel



Twin Tier Hen House, with doors



Twin Tier Hen House, no doors

TWIN TIER HEN HOUSE					
ELECTRICAL SPECS, WITH DOORS, HI-MHH-2SS					
Voltage	K Watts	Amps	Service	Plug	
208	1.9	15.56	30 amp	NEMA L14-30P	
ELECTRICAL SPECS, NO DOORS, HI-MHH-2SS-ND					
Voltage	K Watts	Amps	Service	Plug	
208	4.0	19.53	30 amp	NEMA L14-30P	
HEATED SURFACE AREA, BOTH MODELS					
	Width	Length	Surface Area (sq.in.)		
Top Shelf	24.34	48.46	1179.63		
Bottom Shelf	21.23	47.78	1014.90		
TOTAL			2194.51		