

HOT FOOD END CAP MERCHANDISER



Royston Hot Food End Cap (HE-MBL-3SC)

DESIGNED FOR MAXIMUM FLEXIBILITY

This freestanding heated merchandiser was designed to adapt to retailers changing needs. Its compact footprint and clean design will enhance your store's décor. Brilliant T-5 lighting and tempered glass sides will show your hot menu to its best advantage. Customers can easily access our heated, glass-ceramic shelves, and each level has independent temperature control, for maximum product flexibility.

STANDARD FEATURES

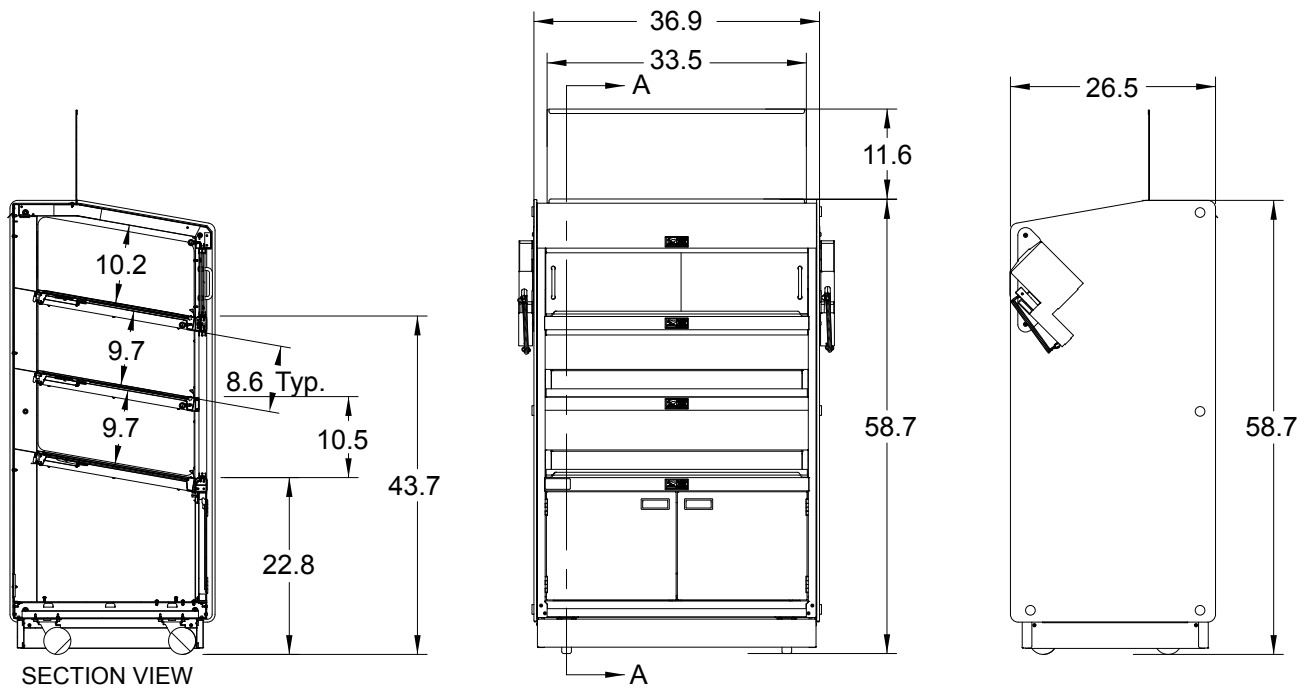
- Stainless steel front, top and back
- 3/8" tempered glass sides
- Locking casters with removable stainless steel toe kick
- All controls are located behind front access doors, so that the case can be used in end cap applications
- Heated shelves constructed from easy-to-clean black SCHOTT CERAN® glass-ceramic
- Deck surfaces heated with energy-efficient heater pads to provide even heating across entire deck
- Each level provided with independent digital temperature controls
- Sliding clear polycarbonate doors help display merchandise while conserving heat
- Brilliant T-5 lighting for each level
- UL safety certified
- UL sanitation certified to NSF Standard 4



Sliding clear polycarbonate doors.



Tempered glass sides and easy access for customers.



HEATED END CAP 3 LEVEL • HE-MBL-3SC - 37.4" X26.5" X 58.7"					
ELECTRICAL SPECIFICATION					
Voltage	K Watts	Amps	Service	Plug	
208	2.78	12.8	20 amp	NEMA L14-20P	
HEATED SURFACE AREA					
	Width	Length	Surface Area (sq.in.)		
Top Shelf	19.00	32.38	615.13		
Middle Shelf	19.00	32.38	615.13		
Bottom Shelf	19.00	32.38	615.13		
TOTAL			1845.38		

